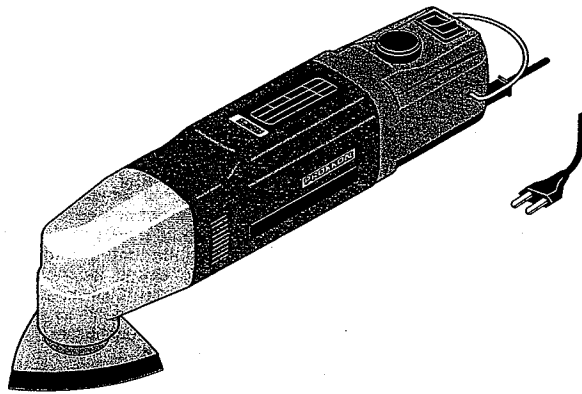


Detail Sander

PROXXON

OZI 115/E



Manual

New 2008

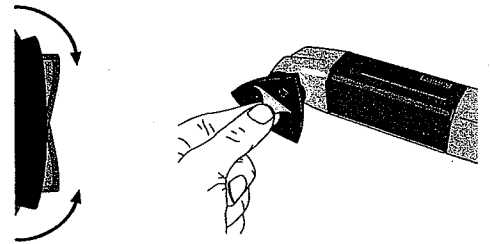
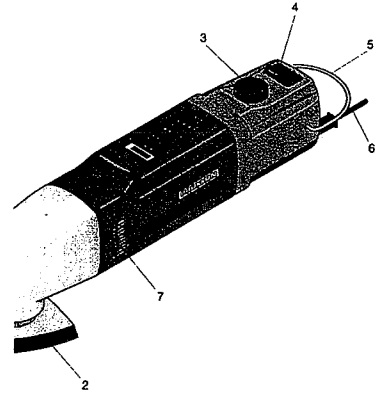


Fig. 3

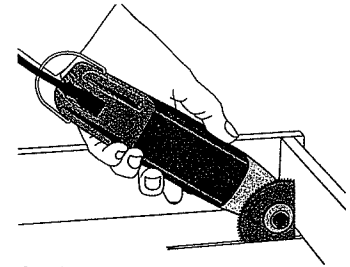


Fig. 4

PROXXON - OZI 115/E

Dear Customer,
Before putting the machine into operation, read the enclosed safety rules and operating instructions.

Power Tool Safety Rules

General Safety Rules

Warning! Read and understand all instructions. Failure to follow all instructions listed below, may result in electric shock, fire and/or serious personal injury.

Save these instructions.

Work Area

Keep your work area clean and well lit. Cluttered benches and dark areas invite accidents.

Do not operate power tools in explosive atmospheres, such as in the presence of flammable liquids, gases, or dust. Power tools create sparks which may ignite the dust or fumes.

Keep bystanders, children, and visitors away while operating a power tool. Distractions can cause you to lose control.

Electrical Safety

Double Insulated tools are equipped with a polarized plug (one blade is wider than the other.) This plug will fit in a polarized outlet only one way. If the plug does not fit fully in the outlet, reverse the plug. If it still does not fit, contact a qualified electrician to install a polarized outlet. Do not change the plug in any way.

Double Insulation eliminates the need for the three wire grounded power cord and grounded power supply system.

Avoid body contact with grounded surfaces such as pipes, radiators, ranges and refrigerators. There is an increased risk of electric shock if your body is grounded.

Do not expose power tools to rain or wet conditions. Water entering a power tool will increase the risk of electric shock.

Do not abuse the cord. Never use the cord to carry the tools or pull the plug from an outlet. Keep cord away from heat, oil, sharp edges or moving parts. Replace damaged cords immediately. Damaged cords increase the risk of electric shock.

When operating a power tool outside, use an outdoor extension cord marked "W-A" or "W." These cords are rated for outdoor use and reduce the risk of electric shock.

Personal Safety

Stay alert, watch what you are doing and use common sense when operating a power tool. Do not use tool while tired or under the influence of drugs, alcohol, or medication. A moment of inattention while operating power tools may result in serious personal injury.

Dress properly. Do not wear loose clothing or jewelry. Contain long hair. Keep your hair, clothing, and gloves away from moving parts. Loose clothes, jewelry, or long hair can be caught in moving parts.

Avoid accidental starting. Be sure switch is off before plugging in. Carrying tools with your finger on the switch or plugging in tools that have the switch on invites accidents.

Remove adjusting keys or wrenches before turning the tool on. A wrench or a key that is left attached to a rotating part of the tool may result in personal injury.

Do not overreach. Keep proper footing and balance at all times. Proper footing and balance enables better control of the tool in unexpected situations.

Use safety equipment. Always wear eye protection. Dust mask, non-skid safety shoes, hard hat, or hearing protection must be used for appropriate conditions.

Tool Use and Care

Use clamps or other practical way to secure and support the workpiece to a stable platform. Holding the work by hand or against your body is unstable and may lead to loss of control.

Do not force tool. Use the correct tool for your application. The correct tool will do the job better and safer at the rate for which it is designed.

Do not use tool if switch does not turn it on or off. Any tool that cannot be controlled with the switch is dangerous and must be repaired.

Disconnect the plug from the power source before making any adjustments, changing accessories, or storing the tool. Such preventive safety measures reduce the risk of starting the tool accidentally.

Store idle tools out of reach of children and other untrained persons. Tools are dangerous in the hands of untrained users.

Maintain tools with care. Keep cutting tools sharp and clean. Properly maintained tools, with sharp cutting edges are less likely to bind and are easier to control.

Check for misalignment or binding of moving parts, breakage of parts, and any other condition that may affect the tools operation. If damaged, have the tool serviced before using. Many accidents are caused by poorly maintained tools.

Use only accessories that are recommended by the manufacturer for your model.

Accessories that may be suitable for one tool, may become hazardous when used on another tool.

SERVICE

Tool service must be performed only by qualified repair personnel. Service or maintenance performed by unqualified personnel could result in a risk of injury.

When servicing a tool, use only identical replacement parts. Follow instructions in the Maintenance section of this manual. Use of unauthorized parts or failure to follow Maintenance Instructions may create a risk of electric shock or injury.

Specific Safety Rules

Hold tool by insulated gripping surfaces when performing an operation where the cutting tool may contact hidden wiring or its own cord. Contact with a „live“ wire will make exposed metal parts of the tool „live“ and shock the operator.

Accessories must be rated for at least the speed recommended on the tool warning label. Wheels and other accessories running over rated speed can fly apart and cause injury.

Operating Instructions

Legend

1. Grinding shoe
2. Screw
3. Speed adjust button
4. ON/OFF switch
5. Hoop
6. Connection cable with power plug
7. Vent slits

Machine description

The PROXXON Detail Sander MICROMOT OZI 115/E is ideal for grinding difficult-to-reach areas, such as corners, edges, joints and cavities. Thanks to the oscillating grinding plate (Fig. 2), better grinding results are achieved than are possible using Detail Sanders that operate with eccentric action. Additional attachments can be fitted, such as circular saw blades or diamond cutting blades to disaggregate the most disparate materials in inaccessible areas.

This machine features:

- Housing crown made of diecast aluminium for precision ball bearing fit and increased durability under extreme loads.
- Quiet-running, enclosed ventilated full-wave electronic motor.
- Grinding shoe with velcro facing for quick replacement of grinding pads.

Technical data

Motor:	
Voltage	~ 115 V
Power consumption	100 Watt
Speed	3,000 to 10,000/min
Double insulated tool	<input checked="" type="checkbox"/>
Weight	approx. 590 g
Characteristic noise emission	74 dB(A)
Noise level may exceed	85 dB(A) during operation.
	Ear protection must be worn!
Vibration at handle	< 2.5 m/s ²

Proper handling of the machine

Replacing grinding pads

1. Hold grinding pad at one corner (Fig. 3) to remove.
2. Place new grinding pad on grinding shoe to fit, and then press on firmly.

Note:

Replace dull grinding pads promptly. To make optimal use of individual grinding pads, offset pads 120° after each use.

Removing, installing and rotating grinding shoe

It may be necessary to rotate the grinding shoe to access hard to-reach areas.

Important:

Unplug machine before replacing or turning shoe!

1. Remove grinding pad (Fig. 3)
2. Detach screw 2 (Fig. 1) using Allen wrench. In the event that screw is jammed, exert load moment against grinding shoe to avoid unnecessary mechanical stress.
3. Replace grinding shoe, or rotate to desired position.
4. Re-tighten screw without exceeding tightening torque of 5 Nm.

Important!

Possible attachments include circular saw blades and diamond cutting blades (Fig. 4). Always ensure that only suitable attachments are used. Always observe the relevant safety precautions.

Operating the machine

Important!

Always wear protective goggles when operating the machine.

1. Switch on machine at switch 4 (Fig. 1) and set the appropriate speed at button 3.

Note:

For optimal grinding, apply requisite uniform speed. Applying excessive pressure does not achieve improved grinding results and increases heat build-up.

2. When holding machine, do not occlude vent slits 7 (Fig. 1).

Note:

In the event that machine overheats, switch it off immediately and allow to cool.

Care and maintenance

Important!

Unplug machine prior to maintenance!

Always ensure that vent slits remain unobstructed. Check power supply cable at regular intervals for damage. In the event that cable is damaged, have a qualified technician replace it.